

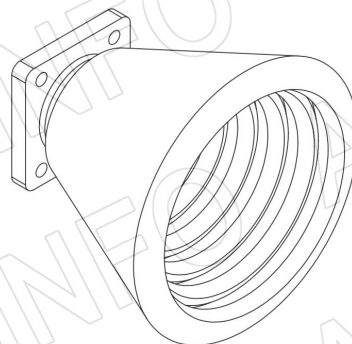
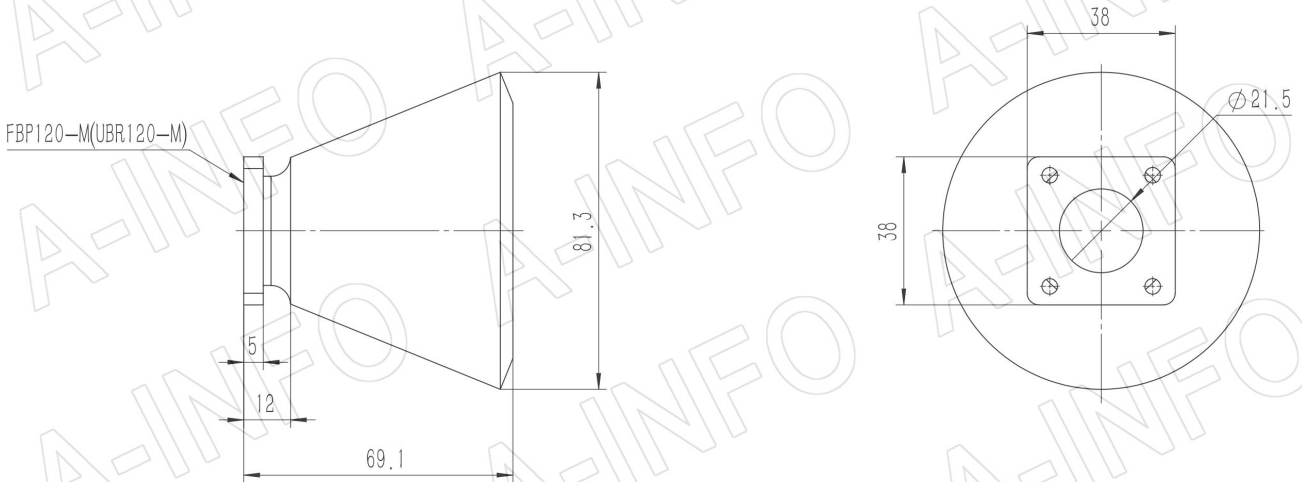
For reference only. See data sheet for the detailed specifications.

Technical Specification



Frequency Range(GHz)	10.0 – 15.0
Circular WG Size	21.5mm / 0.846"
Gain(dBi)	15 Typ.
Polarization	Linear and Circular
3dB Beamwidth(deg)	E Plane: 28 Typ.
	H Plane: 27 Typ.
Cross Pol. Isolation(dB)	45 Typ.
VSWR	1.30:1 Typ.
Output	FBP120-M(UBR120-M)
Material	Al
Finish	Sliver Plated, Gray Paint
Size(mm)	81.3 x 81.3 x 69.1
Net Weight(Kg)	0.18 Around

Outline Drawing (Size: mm)



AINFO Inc.

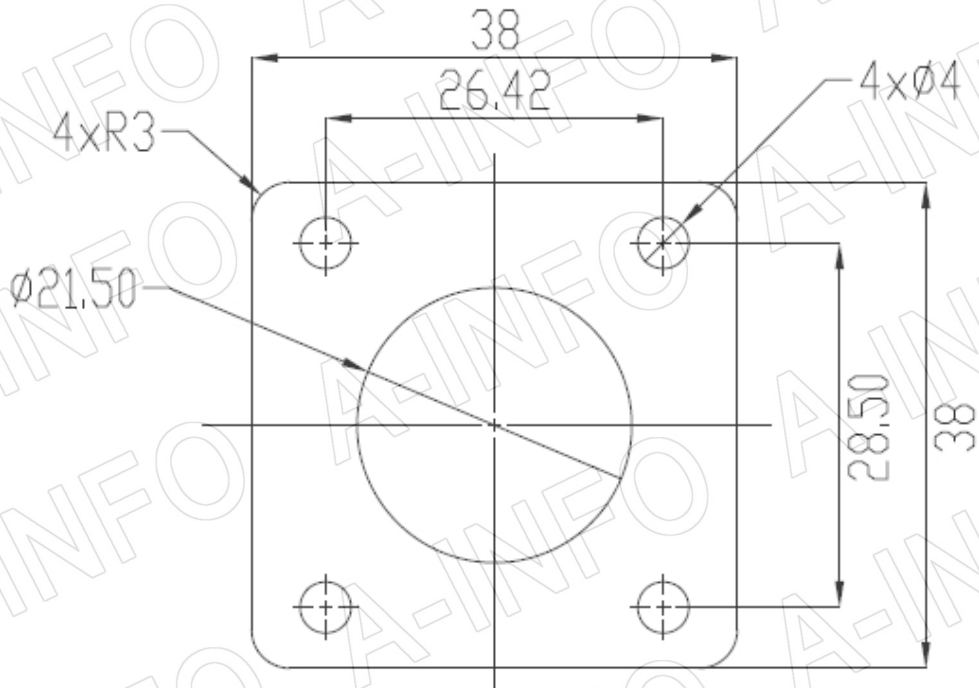
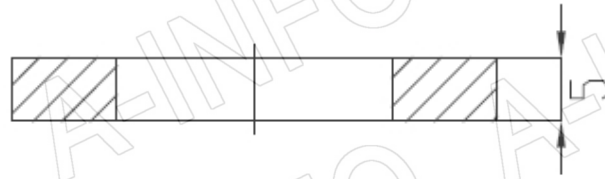
China(Beijing): Tel: (+86) 10-6266-7326,
China(Chengdu): Tel: (+86) 28-8519-2786,
USA : Tel: (+1) 949-639-9688,

Page 1 of 6

(+86) 10-6266-7327 Fax: (+86) 10-6266-7379
(+86) 28-8519-3044 Fax: (+86) 28-8519-3068
(+1) 949-639-9608 Fax: (+1) 949-639-9670

Website: www.ainfoinc.com
Email: sales@ainfoinc.com

Flange Drawing (Size: mm)



FBP120-M

AINFO Inc.

China(Beijing): Tel: (+86) 10-6266-7326,
China(Chengdu): Tel: (+86) 28-8519-2786,
USA : Tel: (+1) 949-639-9688,

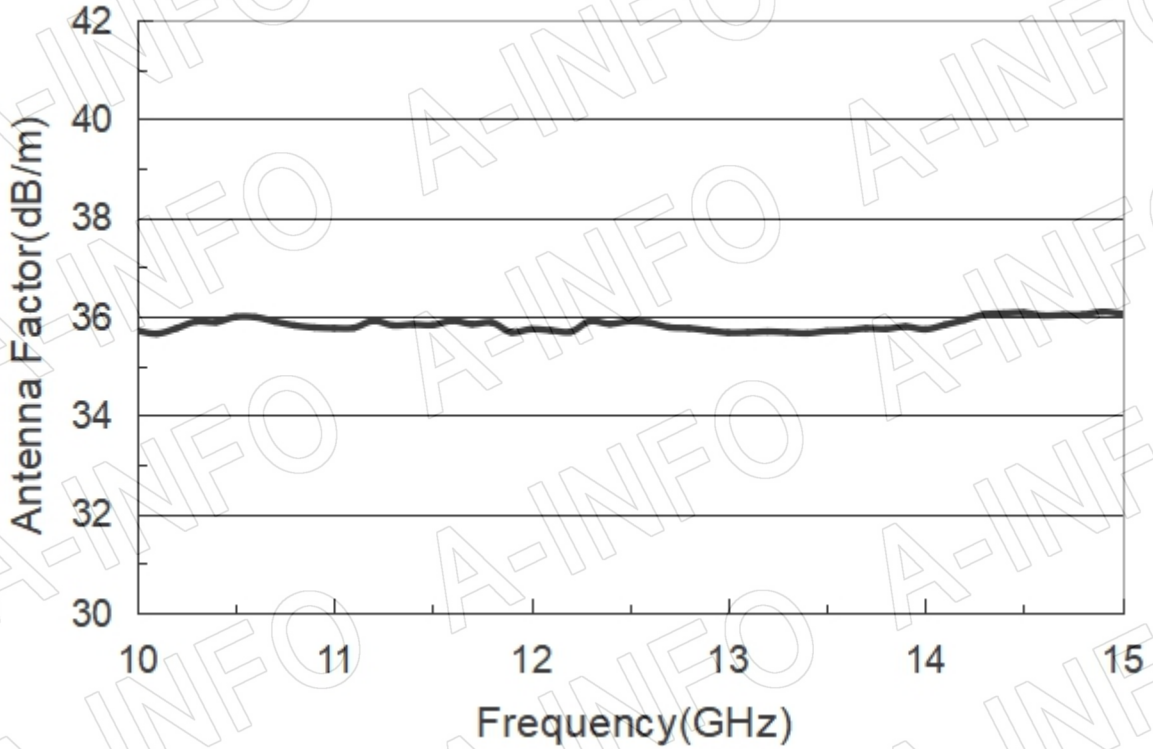
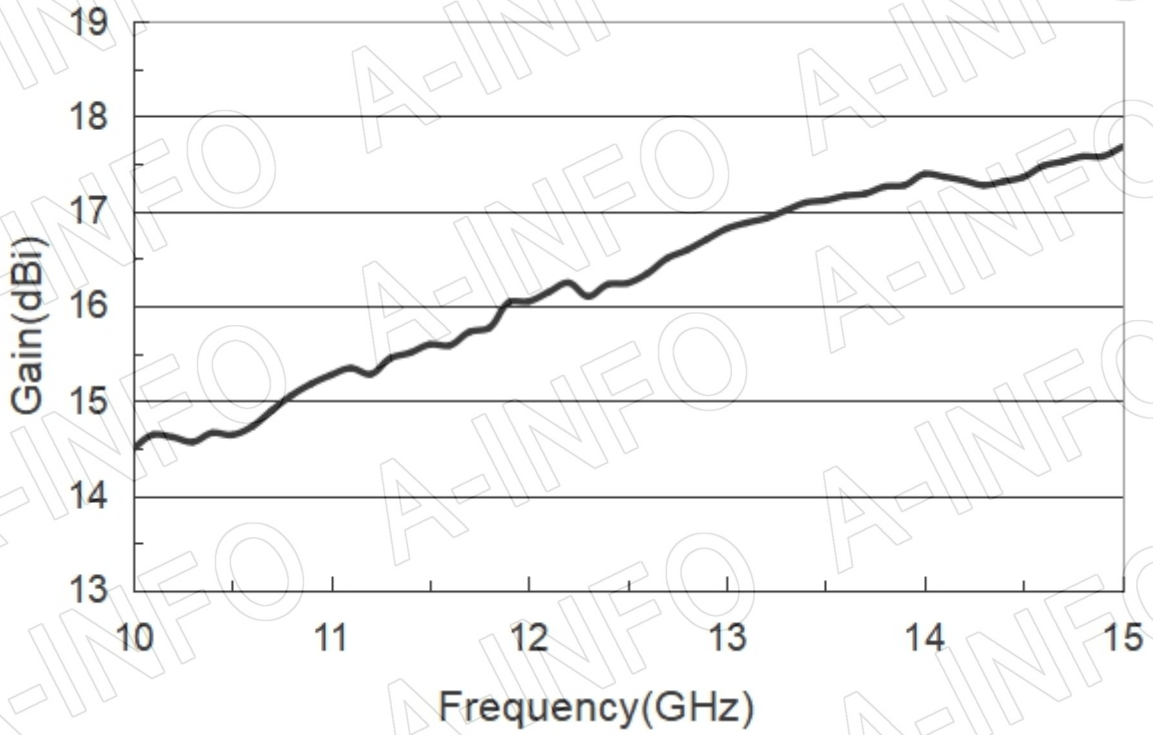
Page 2 of 6

(+86) 10-6266-7327 Fax: (+86) 10-6266-7379
(+86) 28-8519-3044 Fax: (+86) 28-8519-3068
(+1) 949-639-9608 Fax: (+1) 949-639-9670

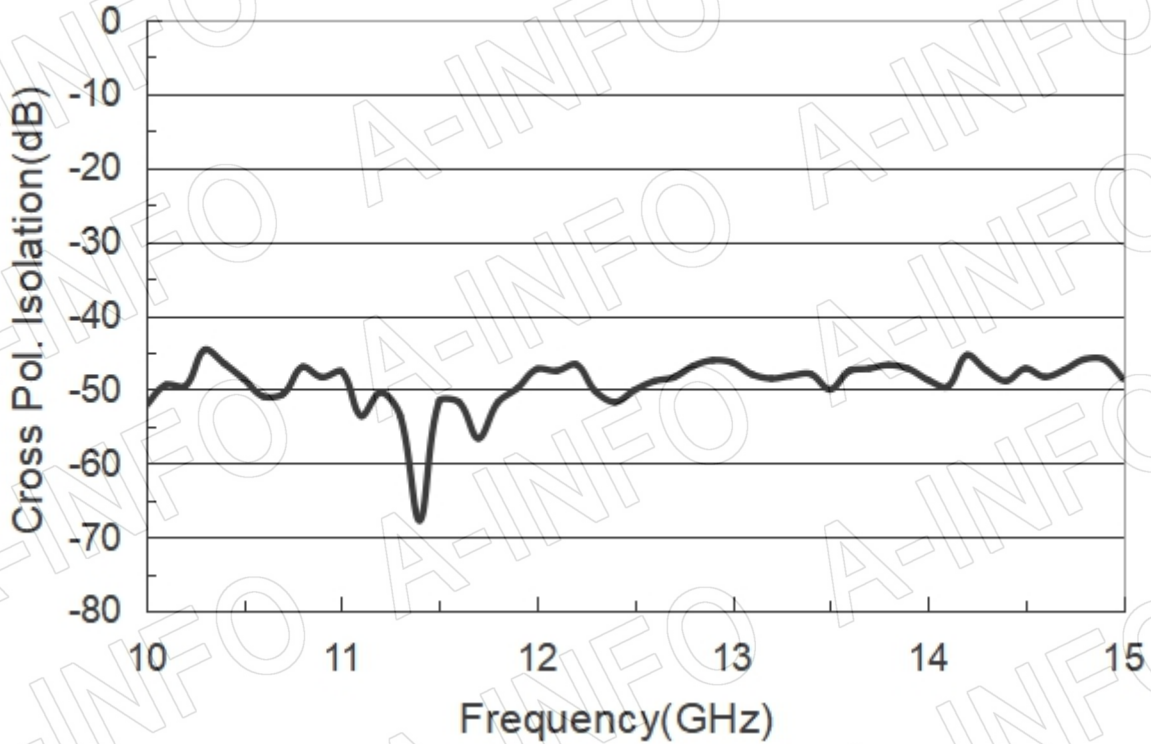
Website: www.ainfoinc.com
Email: sales@ainfoinc.com

Test Results (Including circular to rectangular transition)

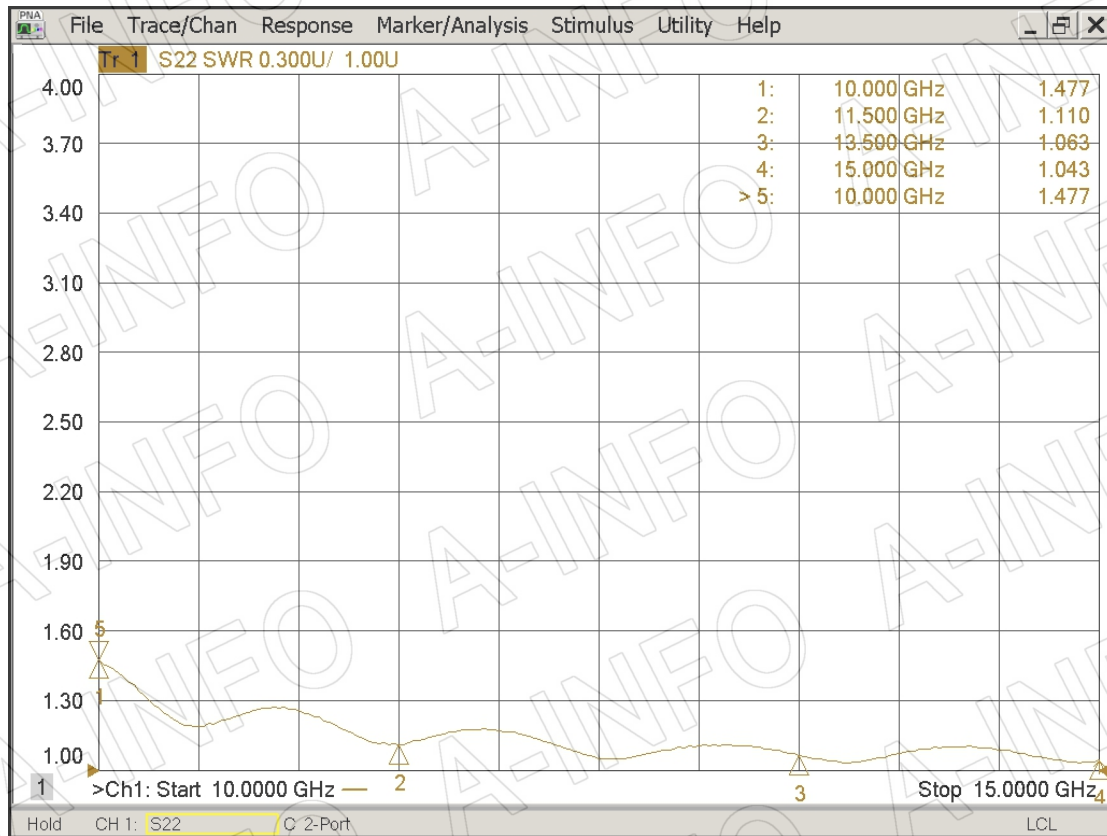
1. Gain & Antenna Factor



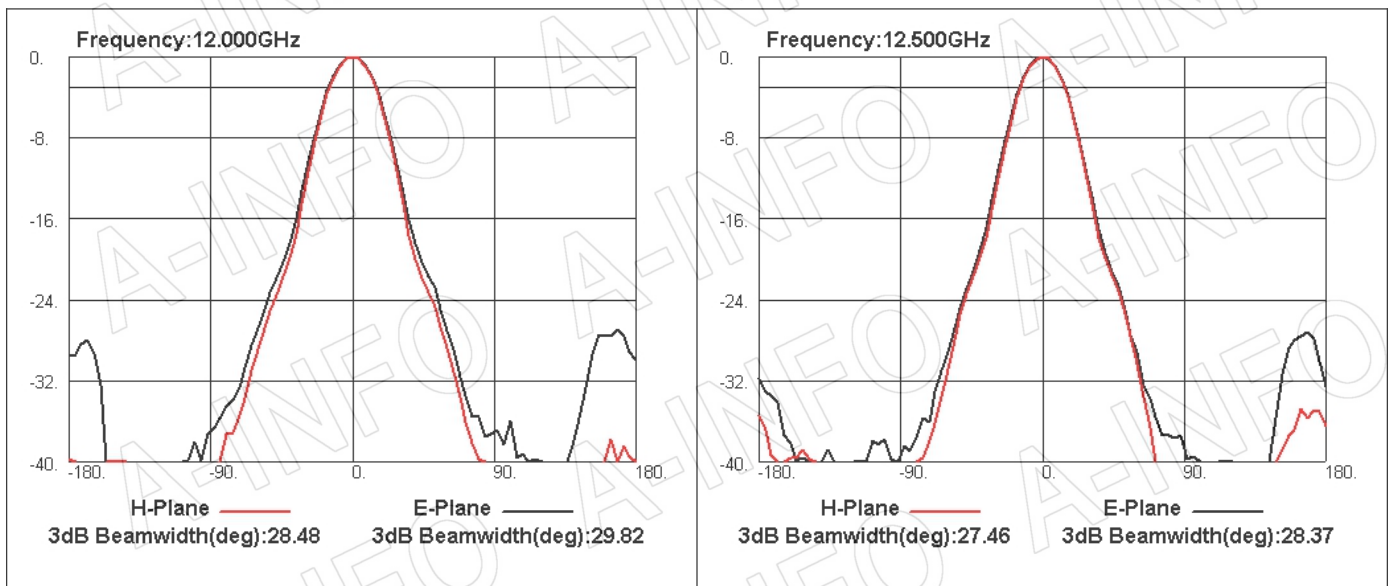
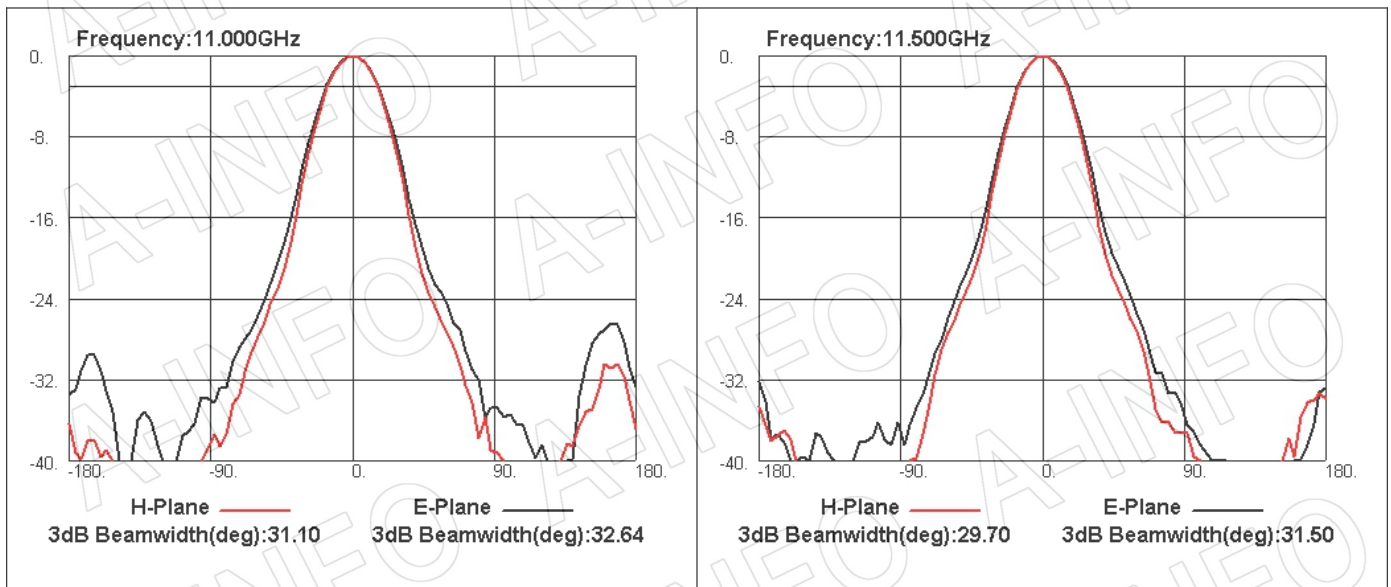
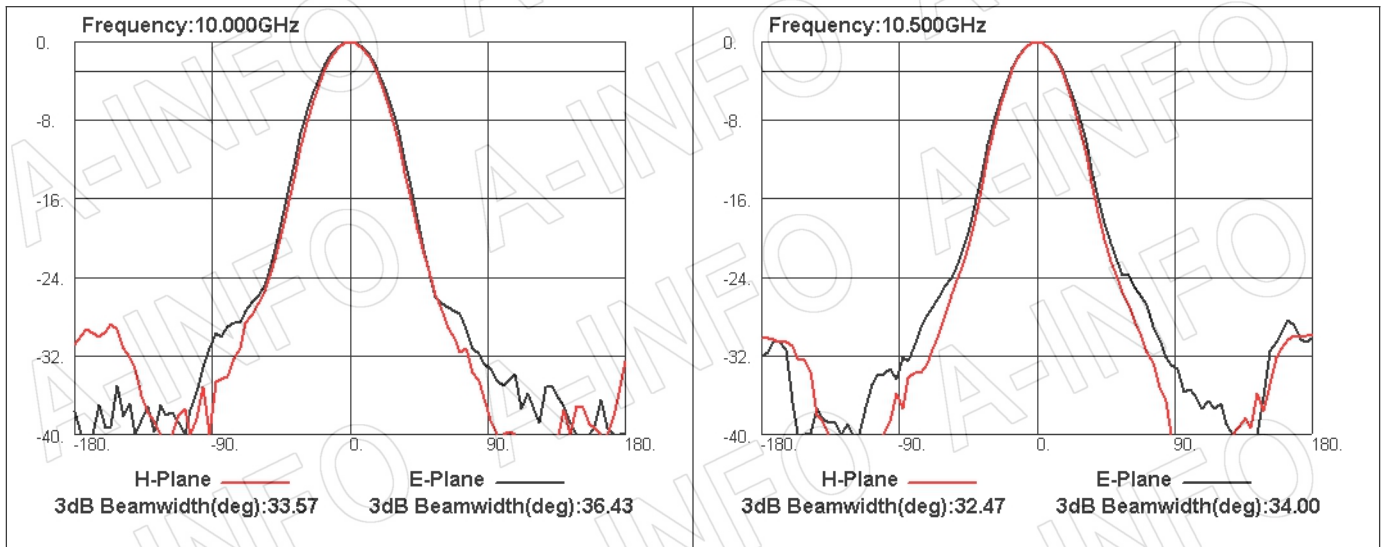
2. Cross Polarization Isolation

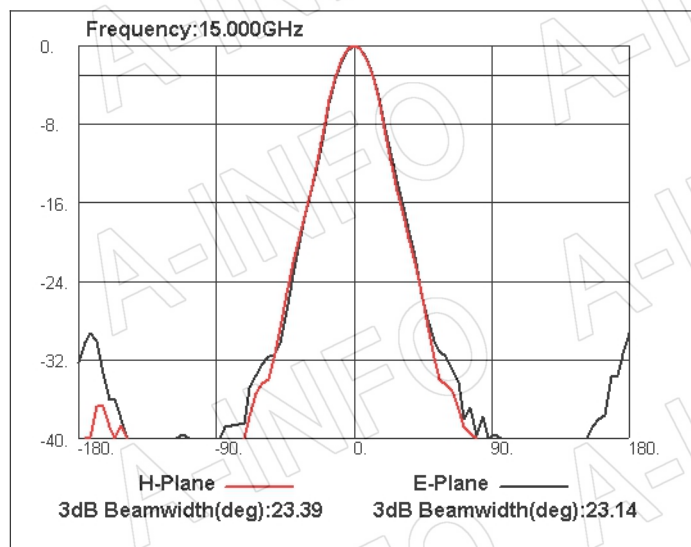
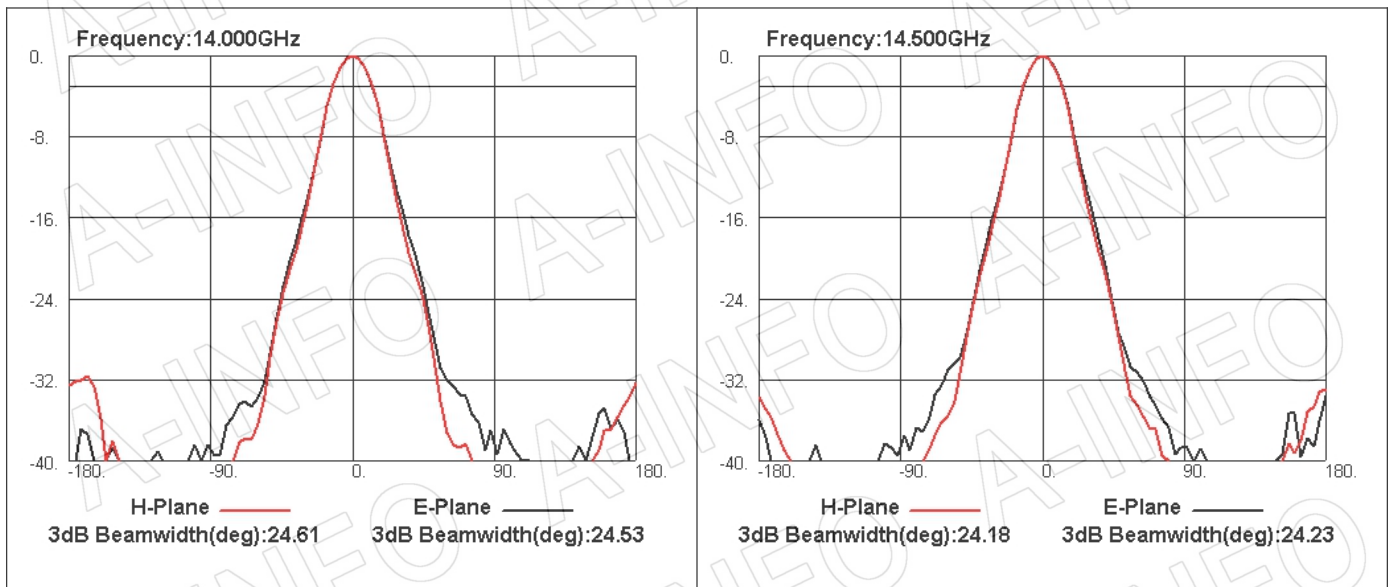
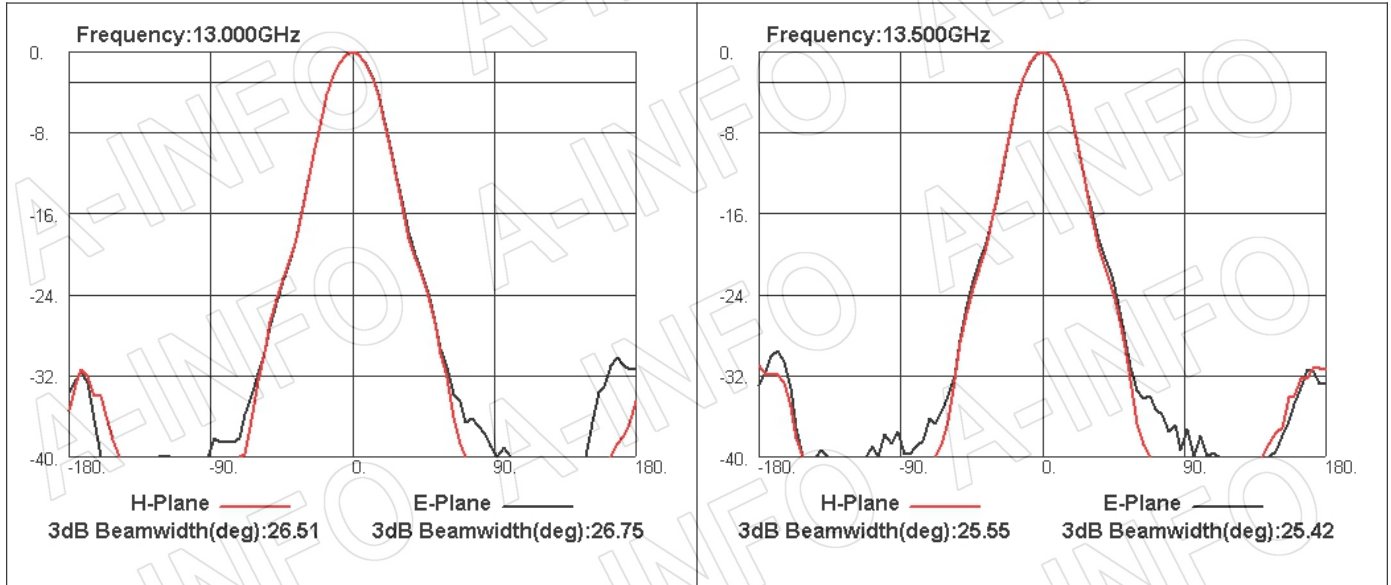


3. VSWR



4. Pattern





AINFO Inc.

China(Beijing): Tel: (+86) 10-6266-7326,
China(Chengdu): Tel: (+86) 28-8519-2786,
USA : Tel: (+1) 949-639-9688,

Page 6 of 6

(+86) 10-6266-7327 Fax: (+86) 10-6266-7379
(+86) 28-8519-3044 Fax: (+86) 28-8519-3068
(+1) 949-639-9608 Fax: (+1) 949-639-9670

Website: www.ainfoinc.com
Email: sales@ainfoinc.com